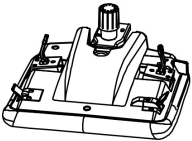
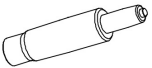


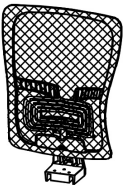
A 1x




E 1x



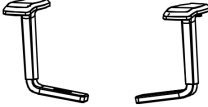
B 1x




F 5x



C 1x+1x



1 3x



8X35

D 1x

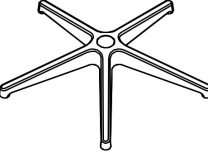
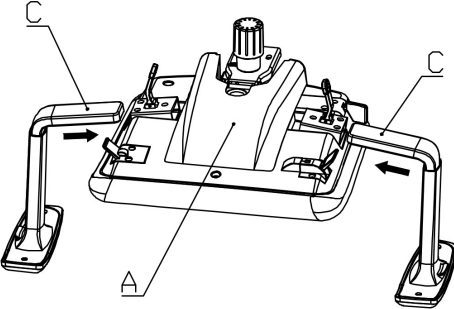
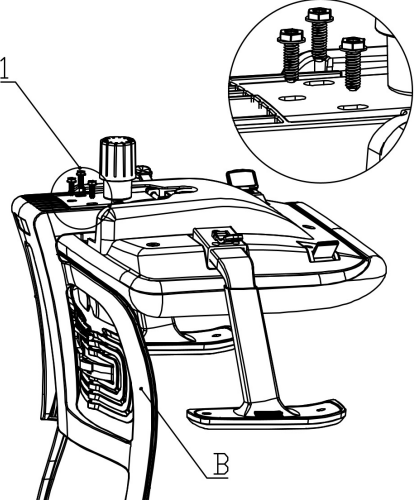

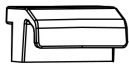
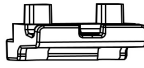





Diagram illustrating the final assembly of the office chair, showing the backrest (B) being attached to the base plate (A) and the gas cylinder (E) being inserted into the star base (D). The gas cylinder (E) is pushed upwards into the base (D) until it locks into the bush (F).

<p>G 1x</p> 	<p>H 1x</p> 	<p>I 1x</p> 	<p>4 2x</p>  <p>6X30</p>
--	---	---	---

