
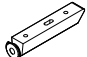

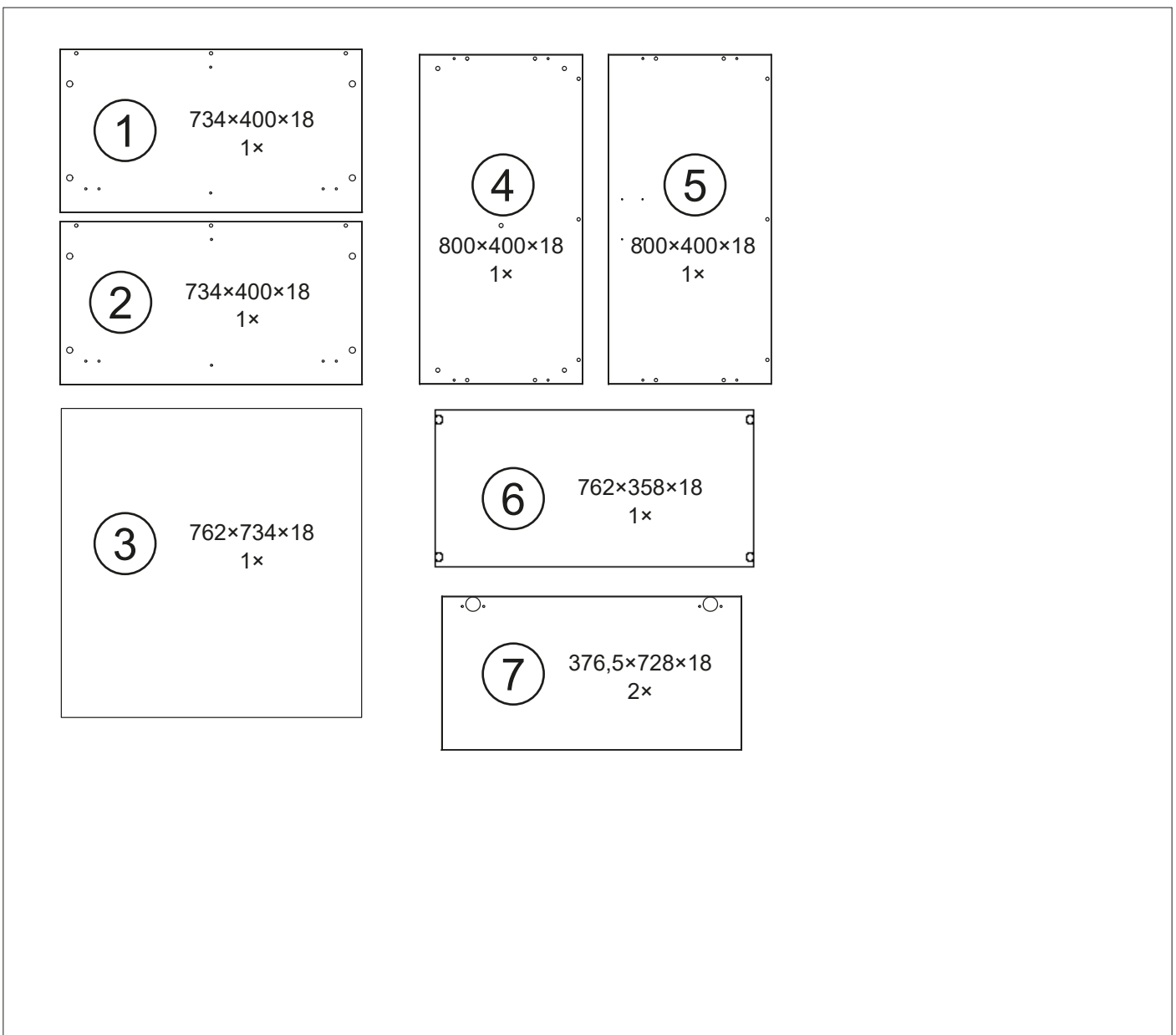
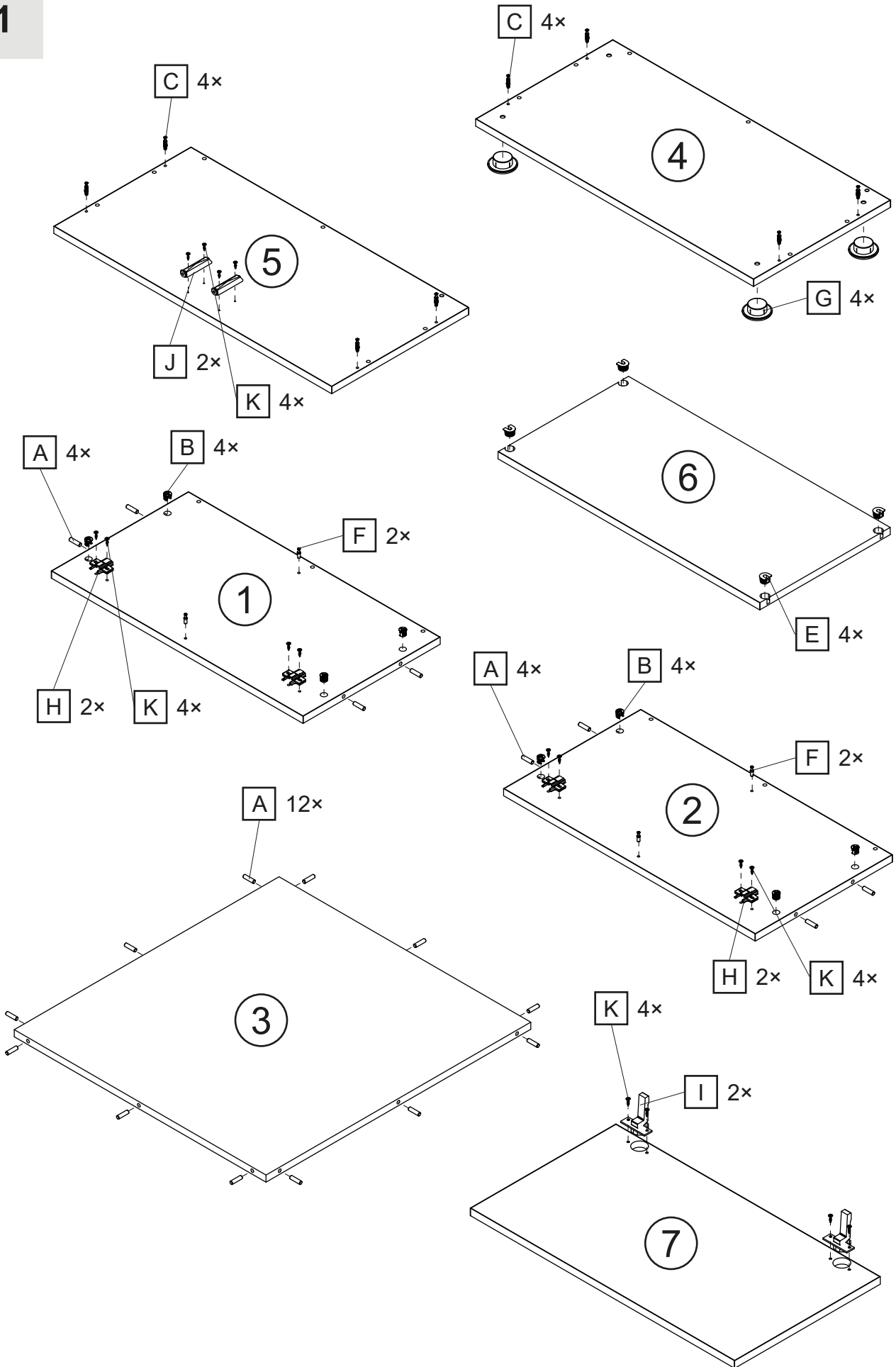
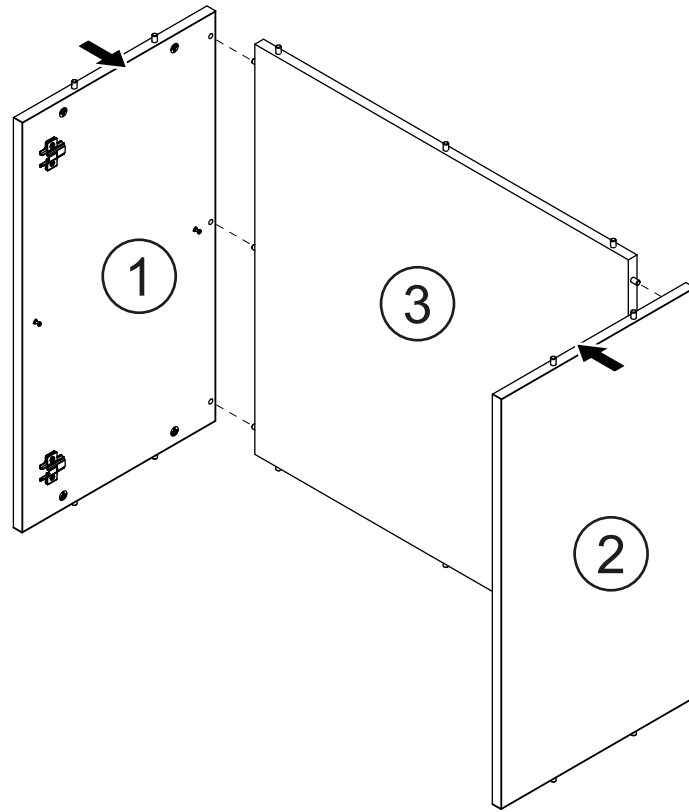

Ø8 × 35		Ø8 × 24					
A 20×	B 8×	C 8×	D 8×	E 4×	F 4×	G 4×	H 4×
							
		Ø3,5 × 16					
I 4×	J 2×	K 12×					



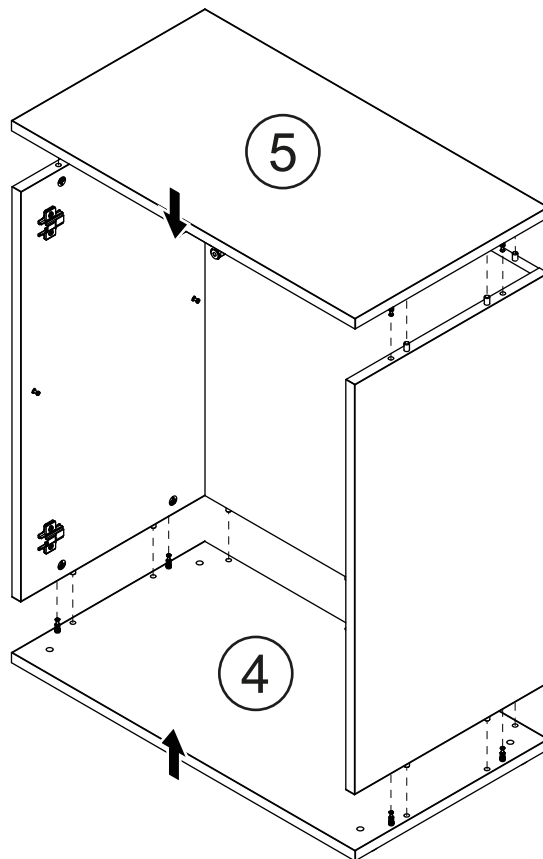
1



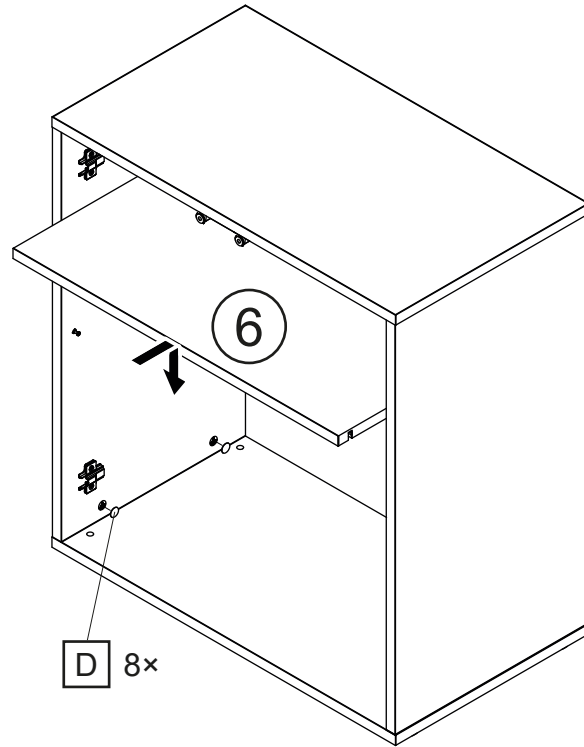
2



3



4



5

