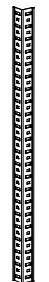
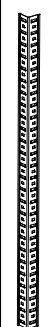








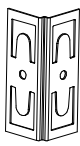
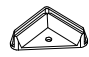
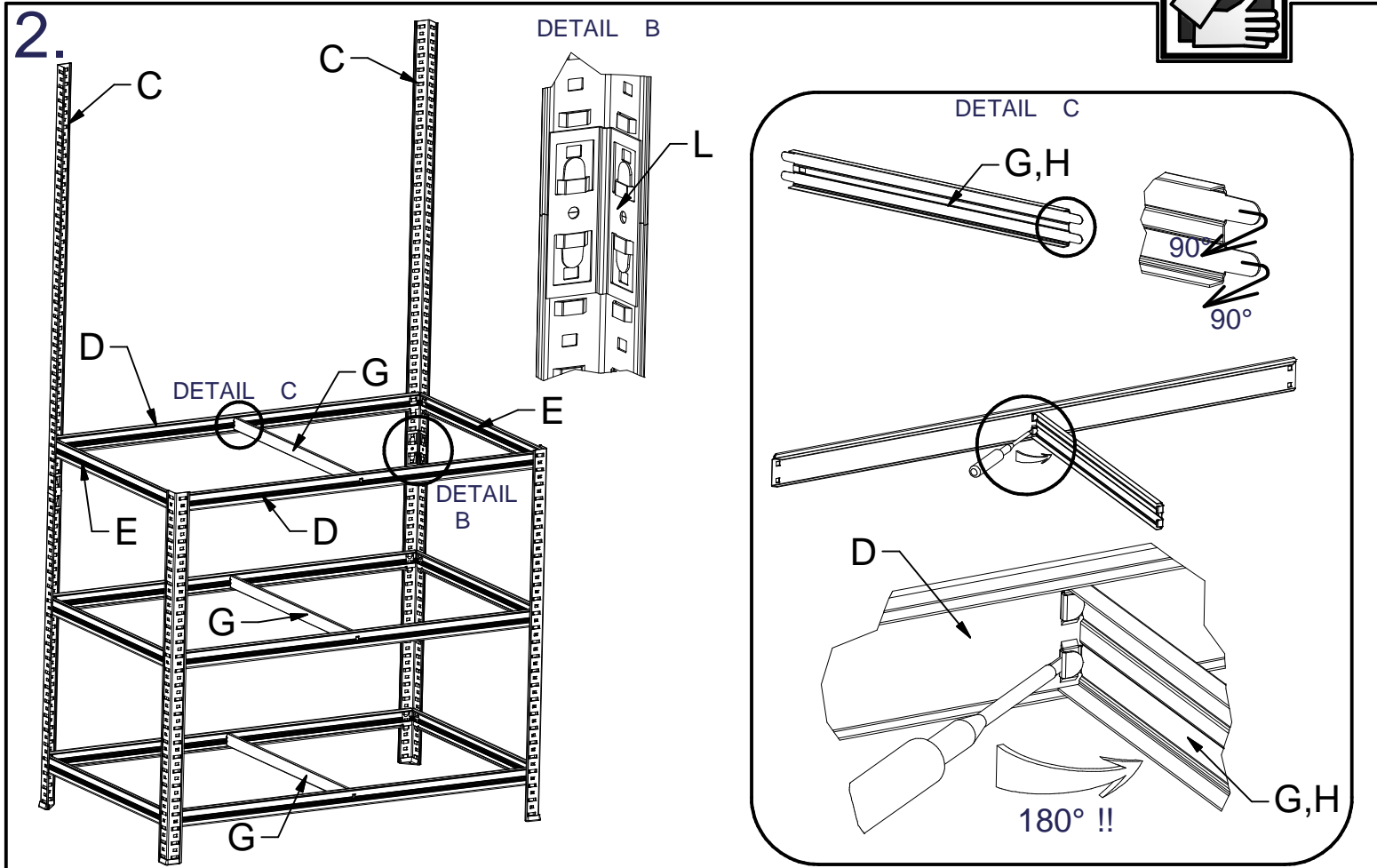
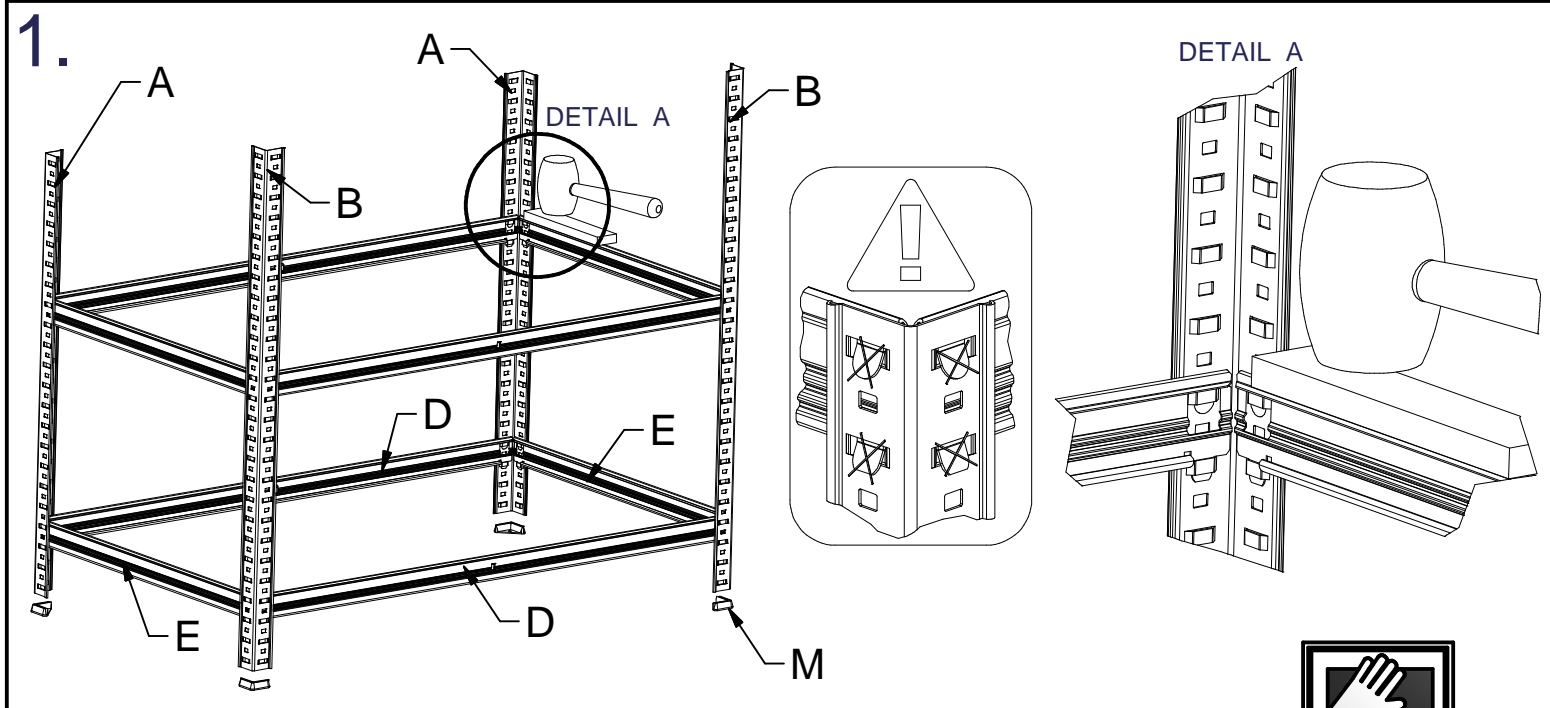
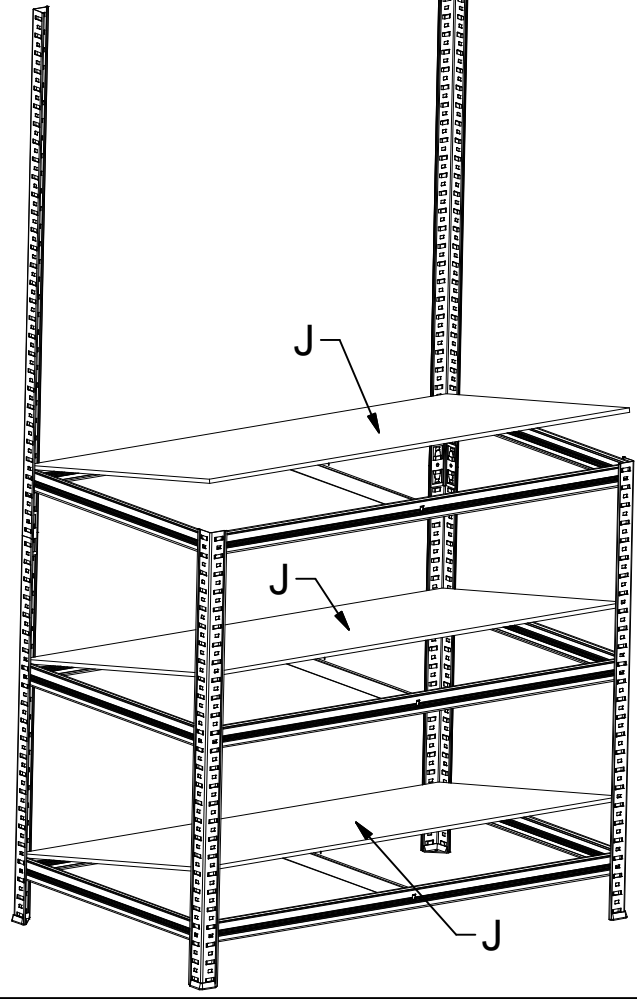


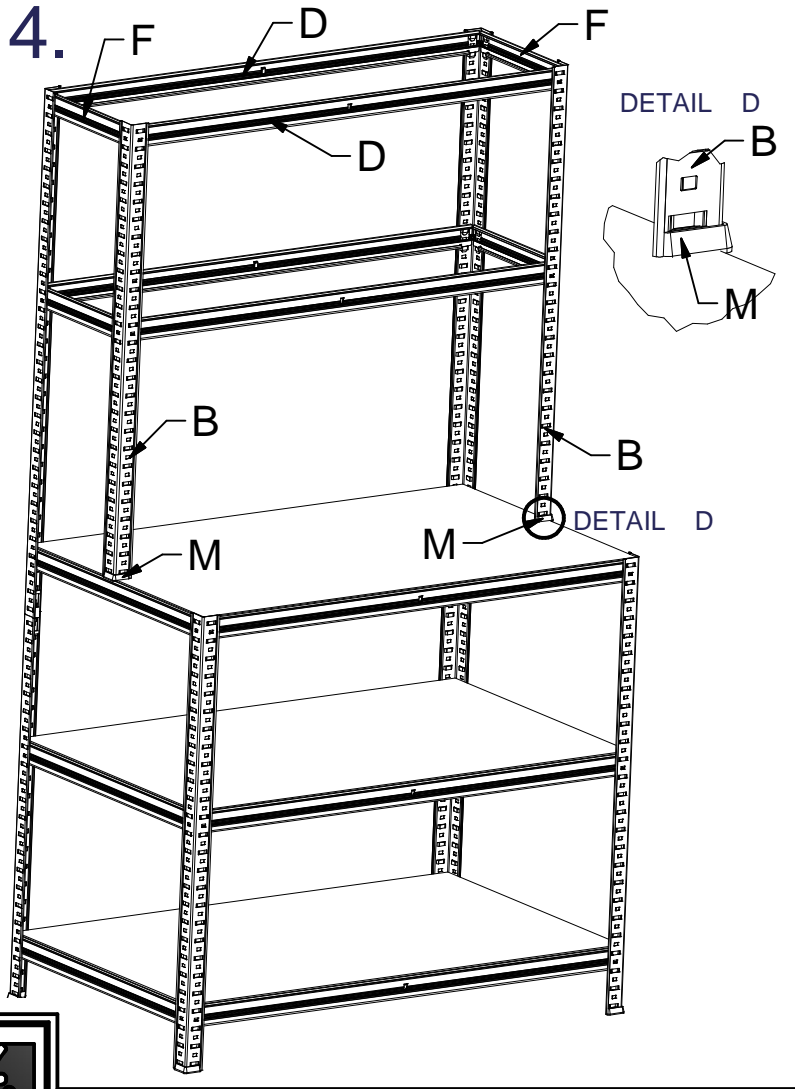
2x	4x	2x	10x	6x	4x	3x	2x	3x	2x	2x	6x
A	B	C	D	E	F	G	H	J	K	L	M
											
cca 752 mm	cca 890 mm	cca 1028 mm	cca 988 mm	cca 588 mm	cca 288 mm	cca 627 mm	cca 327 mm	cca 988x588x8 mm	cca 988x288x8 mm		



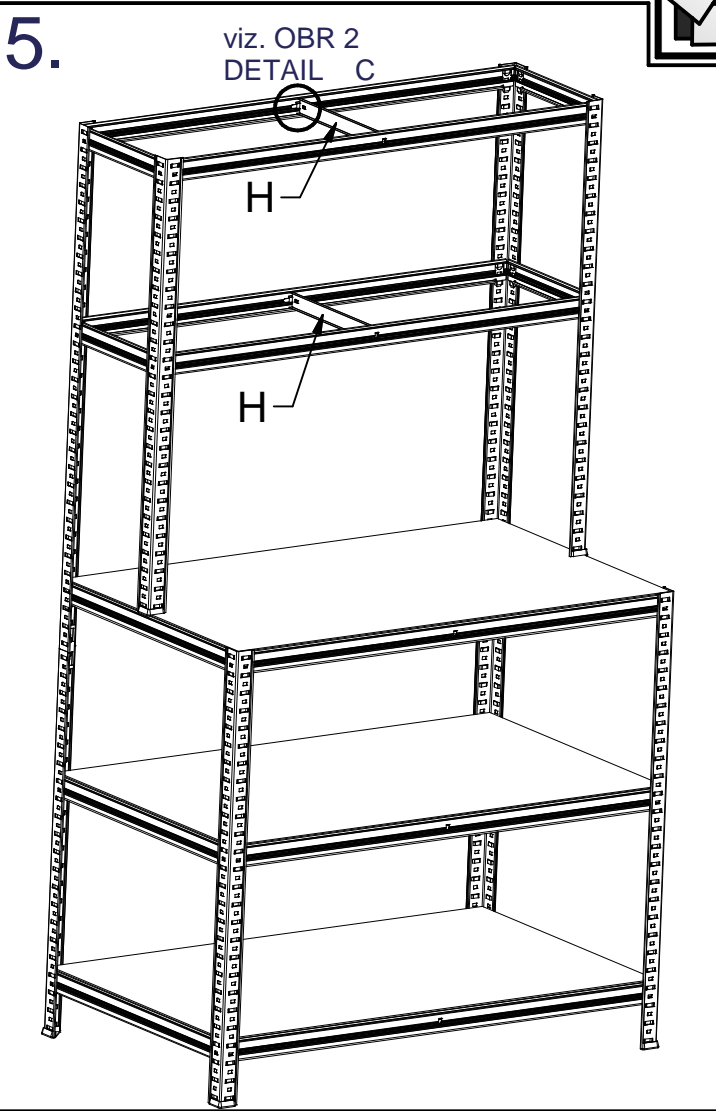
3.



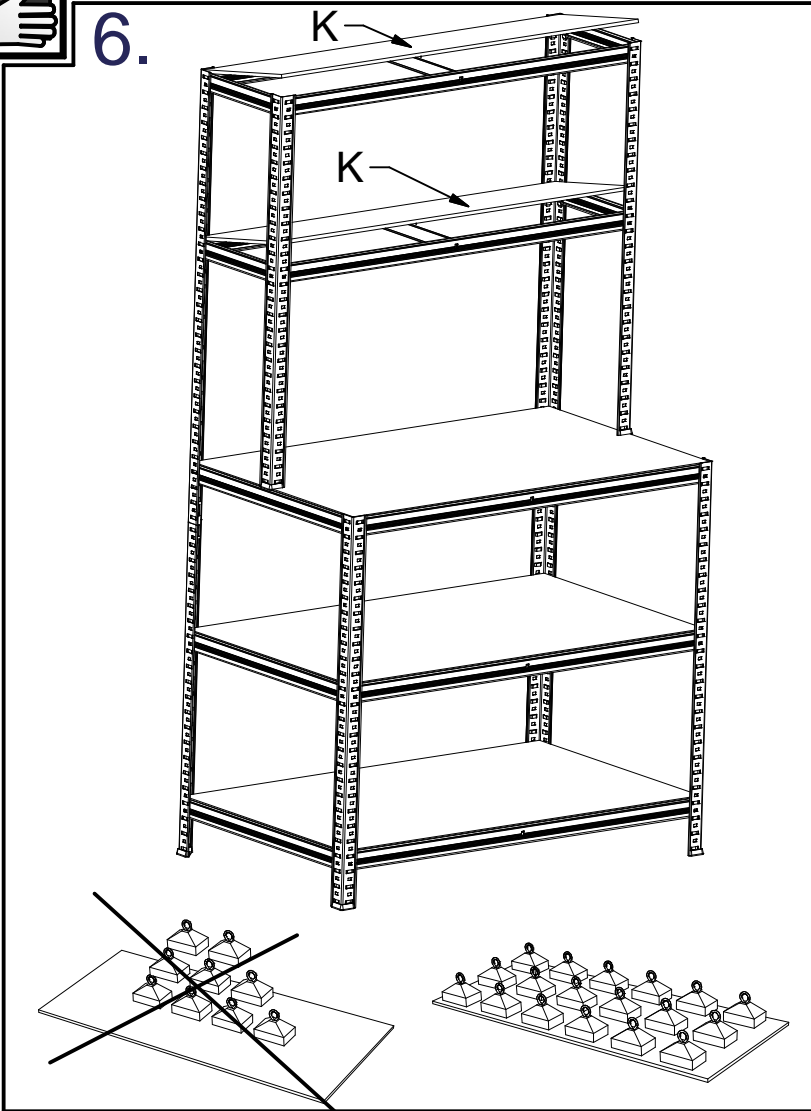
4.



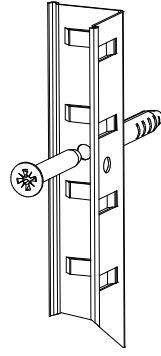
5.



6.



1,2,3,4



5,6,7,8

